

NOTES:

1. MATERIAL

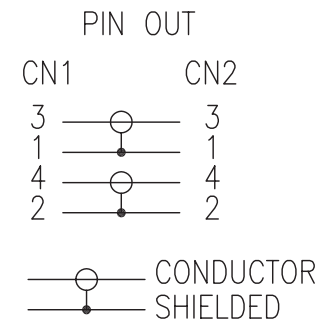
1.1 3 FLAT CABLE: [(7/0.12 BARE COPPER + PVC), SPIRAL(28/0.1 BARE COPPER) SHIELDED] X 2COAX RED PVC JACKET.
OD=φ6.0 ± 0.2mm

1.2 CN1 & CN2: MINI DIN 4PIN MALE, SOLDER TYPE, BLACK INSULATION, GOLD PLATED CONTACTS AND SHELL WITH NICKEL PLATED TUBE.

1.6 STRAIN RELIEF MOLDED: BLACK PVC.

2. TESTING: 100% OPEN AND SHORT AND MISWIRE TEST.

3. EACH CABLE IN BLISTER WITH PAPER CARD.



P/N CHART

P/N.	L (mm)	T (mm)
147850	5000	+152/-51
147830	3000	+152/-51
147815	1500	+152/-51

⌀	mm
SCALE	NONE
SHEET	1/1
DIMENSIONAL TOLERANCES UNLESS OTHERWISE NOTED	
.X ±0.3	.XX ±
.XXX ±	ANGLES ±
REV. 00	CUS. REV.



MD4 M to MD4 M